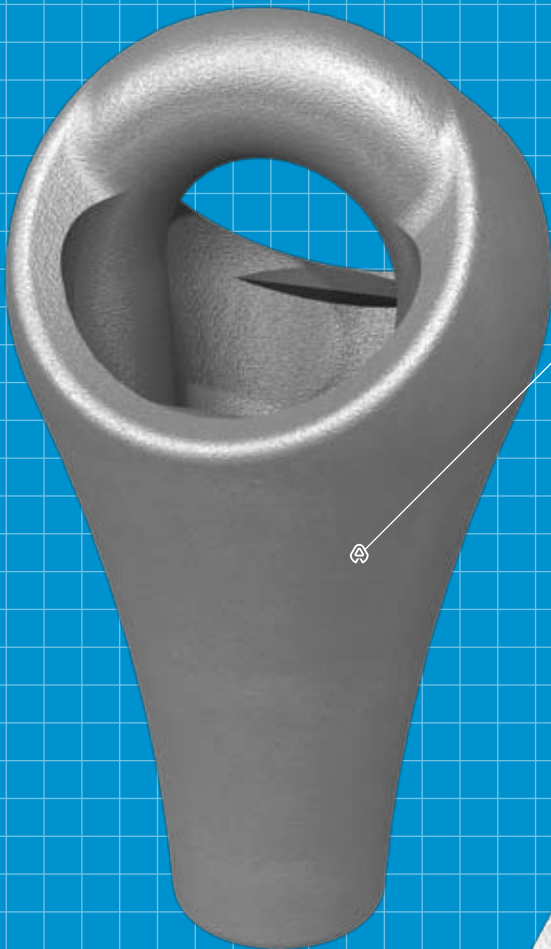


the rope pear socket



characteristics

Minimal breaking load of
10.000 -240.000 kg

Safe workloads of 1.500-42.500 kg
(grab duty)

Robust design

High-grade wear-resistant casted steel

Optimal fit and suited for trolley or
crane sheave passage

Reusable

Simple, safe and reliable with a long
life-expectancy

type s characteristics

Optimal fit for compacted steel wire rope

Minimal breaking load of
70.000 -215.000 kg

Safe workloads of 11.000-36.000 kg
(grab duty)

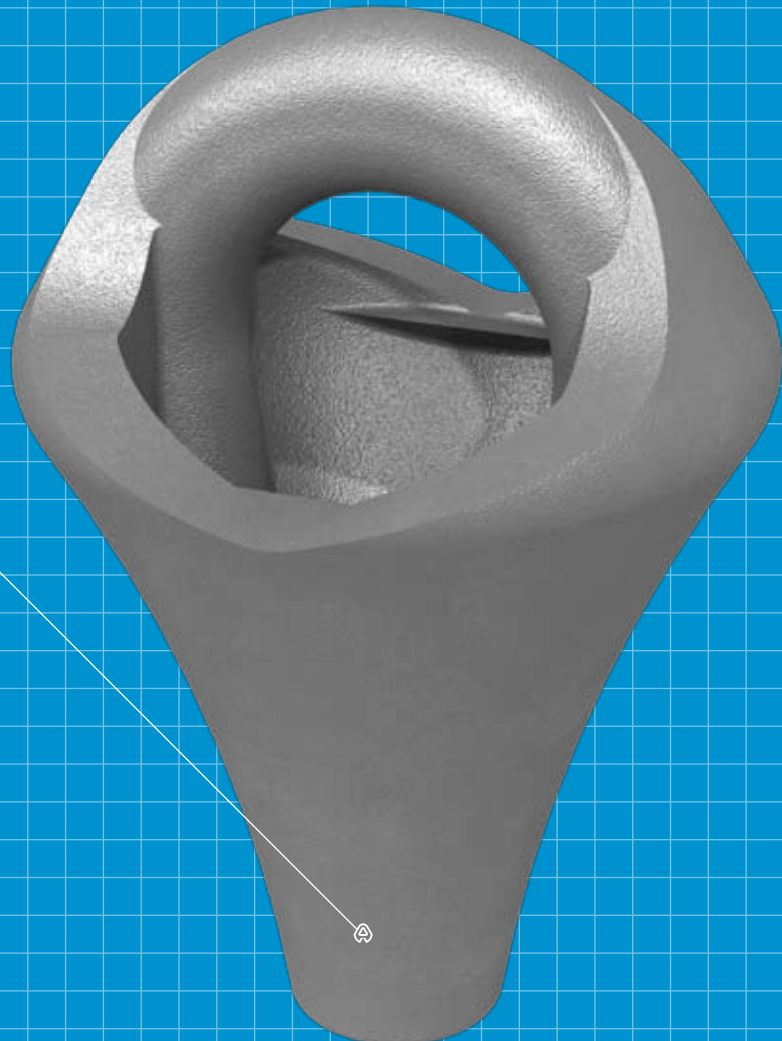
Robust design

High-grade wear-resistant casted steel

Optimal fit and suited for trolley or
crane sheave passage

Reusable

Simple, safe and reliable with a long
life-expectancy

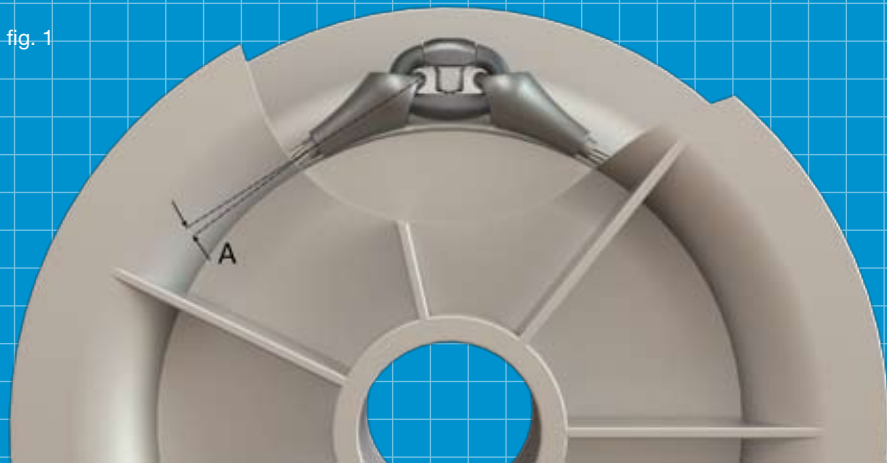




the rope pear socket

The Rope Pear Socket is an end connection especially designed by Nemag for steel wire rope. Using the Nemag Rope Pear Socket a strong connection can be made, and the rope can be coupled to other ropes and chains in the best possible way; and even more so in combination with the Nemag Quick Release Link. The Nemag Rope Pear Socket is cast from high-grade austenitic manganese steel and generally lasts longer than the steel wire rope itself. Austenitic manganese steel combines a great toughness and a high resistance to wear.

fig. 1



Advantages of the Nemag Rope Pear Socket

- The Nemag Rope Pear Socket is designed to, in combination with the Nemag Quick Release Link, smoothly pass over cable sheaves.
- The life span of the Nemag Rope Pear Socket generally surpasses that of the steel wire rope.
- The Rope Pear Socket can be fitted by casting with a 2-component casting mass without the need for outside assistance, and ensures a strong connection.
- Our range of Rope Pear Sockets is suited to any type of steel wire rope.

The Rope Pear Socket for compacted steel wire rope (the S-series)

The new, additional series of Rope Pear Sockets of the "S-type" was designed for special steel wire ropes. Examples of

this are the 8-strand steel wire ropes (for example CASAR Turboplast or similar makes). In comparison with standard steel wire ropes in 6x36WS version, these special wire ropes combine a smaller diameter with a higher breaking load. The Nemag S-series of Rope Pear Sockets designed especially for this type of steel wire rope. The safety factor of the Rope Pear Socket is therefore in line with that of this type of steel wire rope. This means that the new Rope Pear Socket offers additional safety in comparison to the existing range of Rope Pear Sockets. The geometry of this new range of Rope Pear Sockets has also been adjusted to create an even more favourable situation with regard to wire deflection behind the Rope Pear Socket. This decreases steel wire rope fatigue and benefits the life span of the steel wire rope (see fig. 1).

The most important advantages

- Especially designed for compacted steel wire rope.
- Increased safety.
- Less steel wire rope fatigue as a result of a better deflection angle of the steel wire rope upon passing over the cable sheave.
- Longer life span of the steel wire rope at the casting place.
- Optimal, new design of the Rope Pear Socket for improved sheave passage.



the added value of the rope pear socket

Simple

Safe

Fits perfectly onto the cable

Suitable for passage of sheaves, little deflection of the cable behind the pear socket

A long operating lifetime

Short delivery time

Worldwide distribution

the added value of the rope pear socket type s

A unique design, designed specifically for compacted steel wire rope

Simple

Safe

Fits perfectly onto the cable

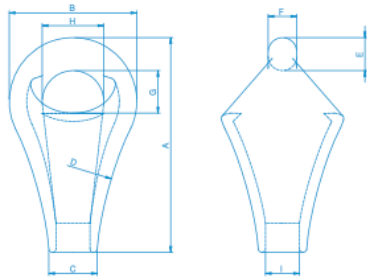
Suitable for passage of sheaves, little deflection of the cable behind the pear socket

A long operating lifetime

Short delivery time

Worldwide distribution

2. Technical specifications of Nemag Rope Pear Sockets

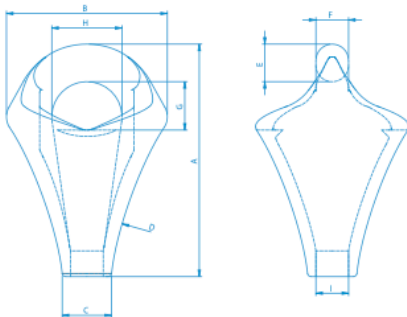


Possible combinations

Pear no.	Link no.
1	
2	
3	4
4	4-5
5	4-5-6
6	5-6-7
7	6-7-8-9
8	7-8-9
9	8-9-10
10	9-10-11
11	10-11-12
12	11-12-13
13	12-13-14
14	13-14-15
15	14-15
17	17

Pear no.	Wire rope Ø	Work. load*	Break. load	Size in mm									Weight
	mm			kg	kg	A	B	C	D	E	F	G	
1	10-11	1500	10000	81	48	22	195	12	11,5	20	24	12	0,4
2	12-13	2000	14000	95	56	25	195	15,5	13,5	22	25	14	0,5
3	14-15	2500	17500	109	64	28	220	17,5	15,5	24	29	16	0,6
4	16-17	3000	22500	123	70	31	220	19,5	17,5	26	31	18	0,9
5	18-19	4500	27500	135	84	33	245	21	19	30	42	20	1,3
6	20-21	5000	35000	152	84	36	310	23	21	33	38	23	1,7
7	22-24	7000	42500	166	100	40	310	26	23	37	48	26	2,3
8	25-27	8000	52500	186	100	43	350	28	25	39	44	29	3,2
9	28-30	11000	70000	202	120	45	350	31	27	40	58	32	4,1
10	31-33	13000	85000	222	120	52	445	32	28,5	45	56	37	5,2
11	34-36	15000	95000	239	142	55	445	36	31,5	50	70	40	6,4
12	37-39	17000	110000	264	142	60	495	39	34,5	51	64	41	7,9
13	40-42	21000	125000	285	166	63	555	43	36,5	59	80	44	9,5
14	43-45	26000	155000	312	166	68	595	47	40	62	72	48	11,2
15	46-48	30000	180000	337	170	75	595	51	44	66	68	53	13
17	52-56	42500	240000	400	220	84	880	60	54	75	90	59	23

6. Technical specifications of Nemag Rope Pear Sockets type S

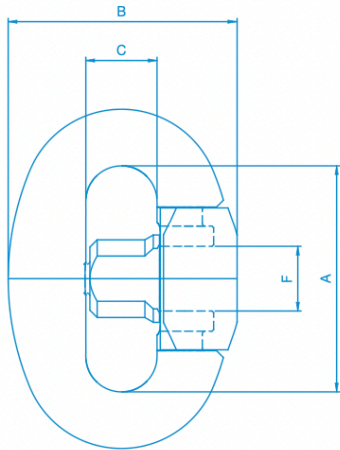


Possible combinations

Pear no.	Link no.
924	8-9-10
1026	9-10-11
1130	10-11-12
1232	11-12
1336	12-13-14
1440	13-14-15
3221	15
1548	14-15
1648	15-17

Pear no.	Wire rope Ø	Work. load*	Break. load	Size in mm									Weight
	mm			kg	kg	A	B	C	D	E	F	G	
924	22-24	11000	70000	192	133	40	325	31	27	40	58	27	4
1026	25-27	13000	85000	212	143	43	375	35	30,5	43	60	30	5
1130	28-30	15000	95000	239	156	45	400	36	31,5	50	70	33	7
1232	31-33	17000	110000	249	165	52	450	39	34,5	57	72	36	8,5
1336	34-36	21000	125000	285	184	62	450	43	36,5	60	80	40	9,5
1440	37-40	26000	155000	297	192	60	475	47	40	62	80	44	12
3221	42-44	32500	189000	314	204	66	425	53	46	70	80	47	13,5
1548	46-48	30000	180000	329	192	67	575	51	44	66	80	52	12,5
1648	46-48	36000	215000	343	218	70	500	56	50	75	90	52	18

1. Technical specifications of Nemag Quick Release Links



4. Possible combinations

Pear no.	Link no.
1	
2	
3	4
4	4-5
5	4-5-6
6	5-6-7
7	6-7-8-9
8	7-8-9
9	8-9-10
10	9-10-11
11	10-11-12
12	11-12-13
13	12-13-14
14	13-14-15
15	14-15
17	17

8. Possible combinations

Pear no.	Link no.
924	8-9-10
1026	9-10-11
1130	10-11-12
1232	11-12
1336	12-13-14
1440	13-14-15
3221	15
1548	14-15
1648	15-17

Link no.	Working load*	Breaking load	Size in mm						Weight
			kg	kg	A	B	C	D	
4	3000	25000	76	76	24,5	19	30	21	0,9
5	4500	33000	84	84	27	21	32,5	23	1,2
6	5000	37500	92	92	29,5	23	35	25	1,5
7	7000	49000	100	100	32	25	38	28	2,0
8	8000	54000	108	108	34,5	27	40,5	31	2,5
9	9500	60000	116	116	37	29	43,5	34	3,1
10	12000	75000	128	128	40,5	32	48	37	4,4
11	15000	95000	140	140	44	35	53	40	5,7
12	17000	110000	152	152	47,5	38	57	43	7,2
13	21000	135000	164	164	51	41	61,5	46	8,7
14	26000	160000	176	173	54	44	66	50	11
15	30000	175000	188	188	58	47	70,5	52	13,5
17	42500	260000	222	222	68	56	84	62	23